

Operations Update

Plant Operations – Plant operations and treatment were good during the month of April.

Rain Gauges – Rain gauges have been relocated so they could be connected to laser flowmeters, except for Darboy's meter which is located at the water plant. This meter is a stand-alone unit sending rainfall data back to the plant and is also a stand-by unit if a meter fails at the plant or one of the meter stations.

Maintenance Update

ATAD Jet Mix Pumps – Rotating assemblies on order. Projected ship date is May 17th.

ATAD Blower #3 – Warranty exchange blower received, installed, and back in service.

Peak Flow Pump #3 VFD – Recently the VFD for peak flow pump #3 failed. Received quotes for remanufacturing drive; Economy - \$12,672.00 6–8-week lead time, Rush - \$13,975.00 3–4-week lead time. New drive \$29,522.00 16-week lead time. Went with the economy remanufacture for \$12,672.00.

DAFT Pressure Vessel Tanks – Due to the change in treatment process in 2007 the DAFT pressure vessels are very corroded. The tank design on the top portion of the tank the deflectors are getting corroded away along with the inside of the tank due to the raw biosolids and the ferric sulfate that is used in the ACTI-FLO treatment. This is causing the air not to saturate into flow stream to allow the air to diffuse fine bubbles into the DAFT to raise the bio-solids.

Have received a quote for fabricated steel/stainless steel pressure vessels. Due to the volatility in steel prices especially with stainless I recommend going with the fabricated steel. The rep from Evoqua is waiting on a couple more quotes.

I am looking for authorization to move forward with the purchase of two new pressure vessels. *(See attached)*

Kevin Skogman
Director of Operations & Maintenance



Proposal For: HEART OF THE VALLEY METROPOLITAN
Dustin Jerabek
801 THILMANY RD
Kaukauna, WI 54130-1642
Phone: (920)766-5731
Dustin.Jerabek@hvmsd.org

Kyle Kamerer
Evoqua Water Technologies
N19W23993 Ridgeview Pkwy, Suite 200
Waukesha, WI 53188
Phone: (262) 521-8238
kyle.kamerer@evoqua.com

Item Pricing Summary

1.

Item	Part No Description	Qty	Net Price	Ext. Price
1	W3T16105 DAF Pressure Vessel (Fabricated Steel)	1	\$39,987.50	\$39,987.50

Subtotal: \$39,987.50

2.

Item	Part No Description	Qty	Net Price	Ext. Price
2	W3T16105 DAF Pressure Vessel (Stainless Steel)	1	\$54,745.00	\$54,745.00

Subtotal: \$54,745.00

Currency: USD

Shipping and Handling Charges: \$4,000.00

Proposal Notes

Lead Time: 16 - 18 Weeks

Material Escalation

Due to volatility in steel costs, prices quoted in this proposal will be adjusted to reflect changes in the Metal and Metal Products Index (MMPI) published by the U.S. Department of Labor, Bureau of Labor Statistics. The most recent published MMPI is 333.606 for Jan 2022. If the MMPI exceeds 340.41 at the time the Equipment is released for manufacture, then the price will be increased by the same percentage as the MMPI exceeds 340.41.

Please provide tax exempt certificate with purchase order.

PRESSURIZATION SYSTEM SPECIFICATION FOR D.A.F. THICKENER

PRESSURIZATION SYSTEM

THE PRESSURIZATION SYSTEM WILL BE DESIGNED TO PRESSURIZE D.A.F. EFFLUENT IN SUFFICIENT QUANTITY TO PROVIDE THE PERFORMANCE PREVIOUSLY SPECIFIED.

PRESSURE VESSEL ASSEMBLY

2" DIAMETER VERTICAL VESSEL, 500 GPM DESIGN FLOW, VESSEL RANGE 475 TO 35 GPM. OPERATING PRESSURE: 40-45 PSI, MAXIMUM WORKING PRESSURE: 100 PSI, TEST PRESSURE: 150 PSI. VESSEL WILL BE CONSTRUCTED IN ACCORDANCE WITH A.S.M.E. CODE FOR UNFIRED PRESSURE VESSELS, SECTION VIII, DIV. 1, LATEST EDITION. VESSEL IS COMPLETE WITH 6" DIA. 150# F.F. INLET AND OUTLET FLANGED CONNECTIONS, 304 STAINLESS STEEL TARGET BAFFLES, TWO (2) 1" DIA. 000# INSTRUMENT CONNECTIONS, TWO (2) LIFTING LUGS, TWO (2) 12" X 16" LAMP TYPE MANWAYS, FOUR (4) ANGLE SUPPORT LEGS, ONE (1) 1 1/2" 3000# RAIN CONNECTION AND TWO (2) 3/4" 3000# SAFETY VALVE AND GAUGE CONNECTIONS. VESSEL TO INCORPORATE A MINIMUM WALL AND HEAD THICKNESS OF 1/4" THICK WITH 1/16" CORROSION ALLOWANCE. VESSEL TO BE OF MIN. 516 R70 OR BETTER STEEL CONSTRUCTION. PRESSURE VESSEL TO BE PROVIDED WITH 1 FORM AND BE STAMPED AND INSPECTED BY CERTIFIED INSPECTOR.

LOAD SWITCH ASSEMBLY

ACNETROL W25-1810-BLA, NEMA 4X (115 V / 1PH / 60HZ), SIGHT GLASS, TWO (2) ISOLATION VALVES, ONE (1) DRAIN VALVE AND ALL ASSOCIATED PIPE AND FITTINGS. FLOAT SWITCH WILL INCLUDE TWO (2) SPOT LEVEL CONTACTS: ONE OPERATING AND ONE HIGH LEVEL.

SAFETY VALVE ASSEMBLY

UNIKLE NO. 6283 3/4" NPT, SAFETY VALVE: SET AT 60 PSI, ASSEMBLY COMPLETE WITH RELIEF VALVE AND ALL ASSOCIATED PIPE AND FITTINGS.

SELECTOR SWITCH

LEMENS THREE (3) POSITION SELECTOR SWITCH IN A NEMA 4X ENCLOSURE. THE SWITCH IS USED TO MANUALLY SUPPLY AIR TO THE PRESSURE VESSEL IF EQUIPPED. SWITCH IS TO BE MOUNTED ON THE PRESSURE VESSEL AND INTERCONNECTED WITH THE FLOAT SWITCH AND AIR NEST PIPING SOLENOID VALVE.

PRESSURE REGULATING VALVE

1" DIA. TRU-TECH INDUSTRIES TRU-TROL WEIR TYPE DIAPHRAGM VALVE TEFLON LINED DUCTILE IRON (A.S.T.M. A536, GR. 65-45-12), 150# F.F. FLANGED ENDS, EPDM FACED (EPDM BACKED) DIAPHRAGM AND MANUAL HANDWHEEL OPERATOR WITH POSITION INDICATOR.

AIR CONTROL PIPING ASSEMBLY

THE AIR INJECTION SYSTEM WILL CONSIST OF A 3/4" INLET SHUT OFF VALVE (MILW. BALL), CHECK VALVE, RELIEVING AIR PRESSURE REGULATOR WITH GAUGE (WATTS), AIR LINE FILTER WITH DRAIN (WATTS), ONE (1) 1/2" DIA. (TRERICE) PRESSURE GAUGE (0-100 PSI) WITH 1/2" STEM CONNECTION, 3/4" NEEDLE VALVE (KEROTEST), 3/4" ISOLATION VALVES (MILW.) AND A 4BB VARIABLE RANGE FLOWMETER, POLYCARBONATE BODY, 316 STAINLESS STEEL FITTINGS AND BUNA-N O-RING SEALS. AIR FLOW UNITS TO METER IN PERCENT OF SCALE AND BE CALIBRATED IN CFM (0-17SCFM). ALL COMPONENTS AND THEIR INTERCONNECTING PIPING WILL BE NESTED AND MOUNTED ON AN OPEN FACED PANEL AT A REMOTE LOCATION WHICH PROVIDES ACCESS FROM THE FLOOR. THE PANEL WILL BE SUCH THAT ONLY ONE AIR LINE CONNECTION WILL BE REQUIRED PER VESSEL. ACTUAL DESIGN AIR REQUIRED PER SYSTEM IS (7.50 SCFM), PANEL MOUNTED BY OTHERS.

PRESSURE GAUGE ASSEMBLY

GAUGE ASSEMBLIES WILL BE PROVIDED WITH TRERICE 4 1/2" DIA. DIAL, 1/2" NPT OVER CONNECTION WITH TRERICE PIPE MOUNTED DIAPHRAGM SEAL, 1/2" INSTRUMENT & 3/4" PROCESS CONNECTIONS, UNIT TO BE SILICONE FILLED. ASSEMBLIES WILL BE PROVIDED WITH ASSOCIATED GALV. PIPE, FITTINGS AND SHUT OFF VALVES.

AIR CONTROL NEST GAUGE 0-100 PSI:
PRESSURE VESSEL GAUGE 0-100 PSI:
PUMP DISCHARGE GAUGE 0-100 PSI
PUMP SUCTION GAUGE 30" Hg - 15 PSI

(193) PRESSURIZATION / RECYCLE PUMPS

GOULDS MODEL 3196 MTX 3X4-13 HORIZONTAL END SUCTION PUMP, DUCTILE IRON CONSTRUCTION, DUCTILE IRON IMPELLER, WITH SAE4140 SHAFT, 316 SHAFT SLEEVES, TB WOODS COUPLING AND CHESTERON CARTRIDGE TYPE SINGLE MECHANICAL SEAL, CAST IRON CAMBER TOP BASEPLATE. PUMP TO BE COUPLED TO A 50 HP, 230/460V, 3PH, 60HZ, 1800 RPM, 1.15 SF, TEFC, INVERTER DUTY PREMIUM EFFICIENCY MOTOR. PUMP CAPACITY 500 GPM @ 187 TDH, 47 FT. NPSH₀.

AIR COMPRESSOR

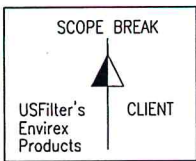
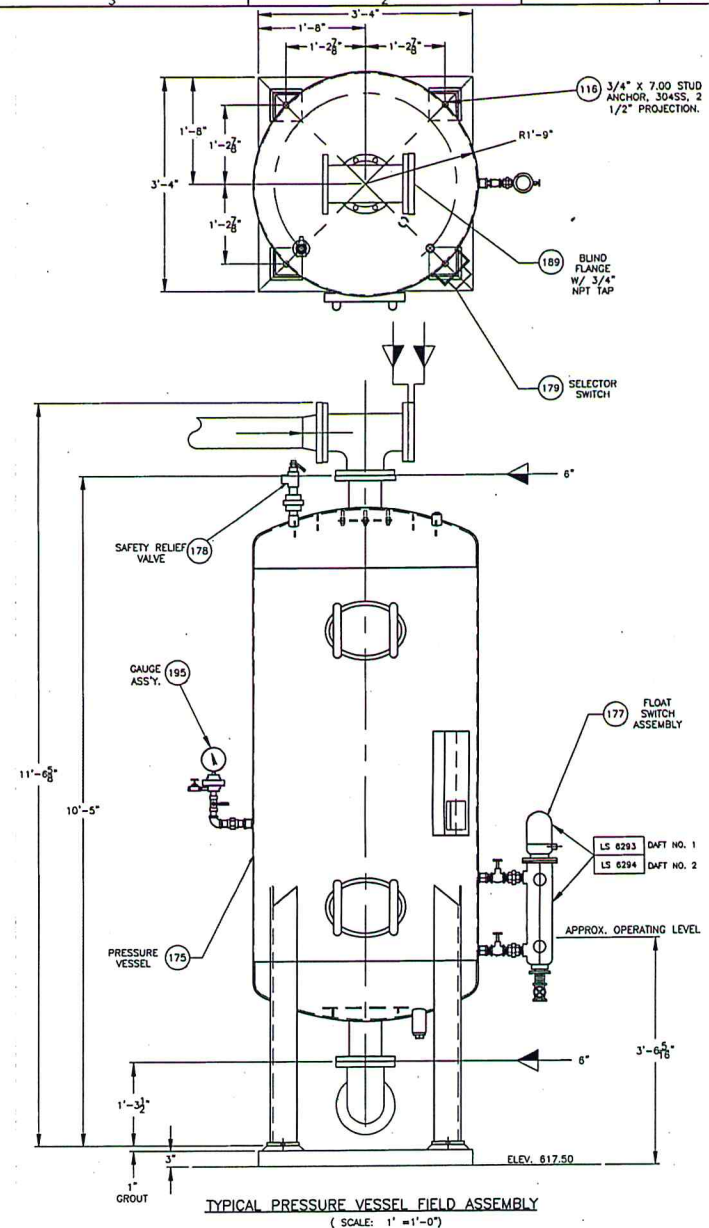
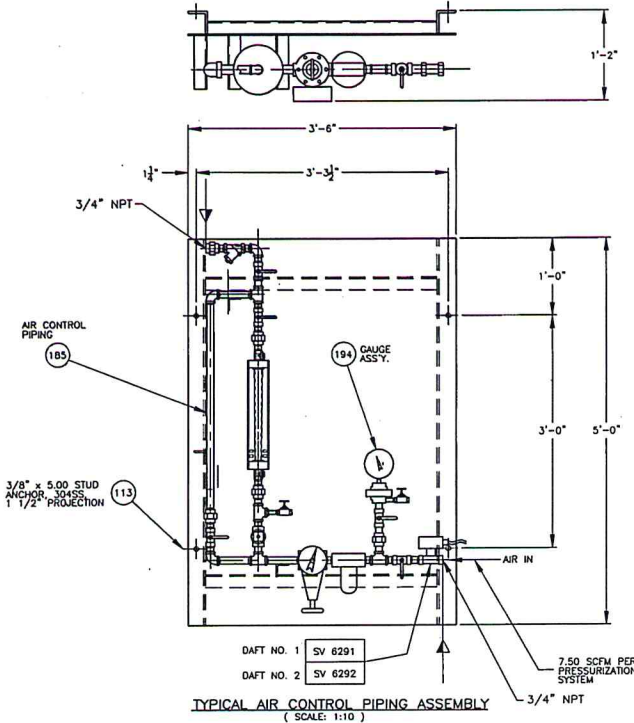
PROVIDE BY OTHERS

FLOW METER

MAGNETIC TYPE METER PROVIDED BY OTHERS

PIPE AND FITTINGS

PIPE AND PIPE FITTINGS 1/4" TO 1" DIA. PROVIDED BY USFilter Envirex Products WILL BE THREADED NPT GALVANIZED MATERIAL.



ISSUED FOR CONSTRUCTION
DATE: 7/6/06

REVISION	DATE	BY	CHKD	APPD	ESN	DESCRIPTION
0	7/6/06	GLL	JRM	JKK		APPROVED AS NOTED PER RITM, DATED 7/6/06 MAKE CORRECTION NOTED ISSUED FOR FABRICATION

COMPANY CONFIDENTIAL
THIS DOCUMENT AND ALL INFORMATION CONTAINED HEREIN ARE THE PROPERTY OF THE UNDERSIGNED AND ITS AFFILIATES ("USF"). THE DESIGN AND/OR INFORMATION CONTAINED HEREIN ARE UNCLASSIFIED TO USE AND ARE NOT TO BE REPRODUCED, COPIED, REPRODUCED, LOANED OR USED IN ANY OTHER MANNER WITHOUT THE EXPRESS WRITTEN CONSENT OF USF. IF NO OTHER SHALL THEY BE USED IN ANY MANNER WHATSOEVER TO THE DETRIMENT OF USF. ALL RIGHTS ARE RESERVED.
ANALYSES, MUST BE RETURNED TO USF OR DESTROYED AS DIRECTED BY USF. ACCEPTANCE OF THE DELIVERY OF THIS DOCUMENT CONSTITUTES AGREEMENT TO THESE TERMS AND CONDITIONS.

DESIGNER DATE
LEROY 4/10/06
CHECKER DATE
MANSI 4/13/06
ENGINEER DATE
J. KAUFMAN 4/13/06
MANAGER DATE
FILE:
SCALE:

WORK THIS DRAWING WITH DRAWINGS 42248-101, -103
TITLE
GENERAL ARRANGEMENT SPECIFICATION FOR 11 DISSOLVED AIR FLOTATION THICKENERS PRESS SYSTEMS REHABILITATIONS
CLIENT
AUGUST WINTER & SONS, INC.
HEART OF THE VALLEY WWP, KAUKAUNA, WI.
PROJECT
42248
CODE
400BB
DRAWING
42248-102
SHEET
1 OF 1

USFilter
Envirex Products
Waukesha, WI
800-524-6324

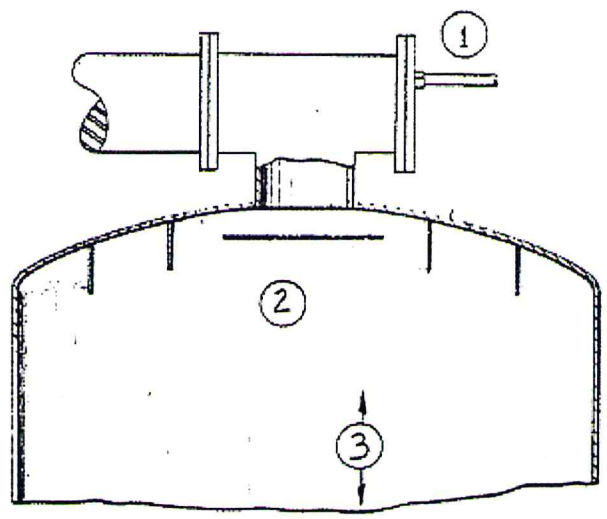
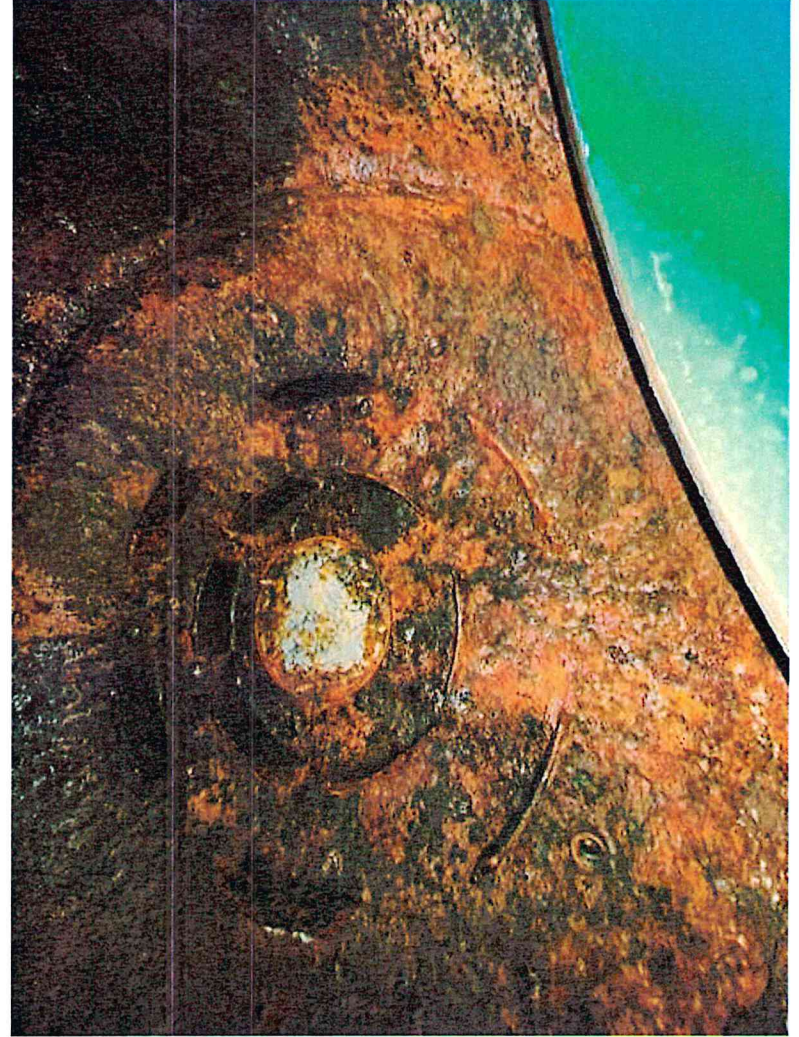
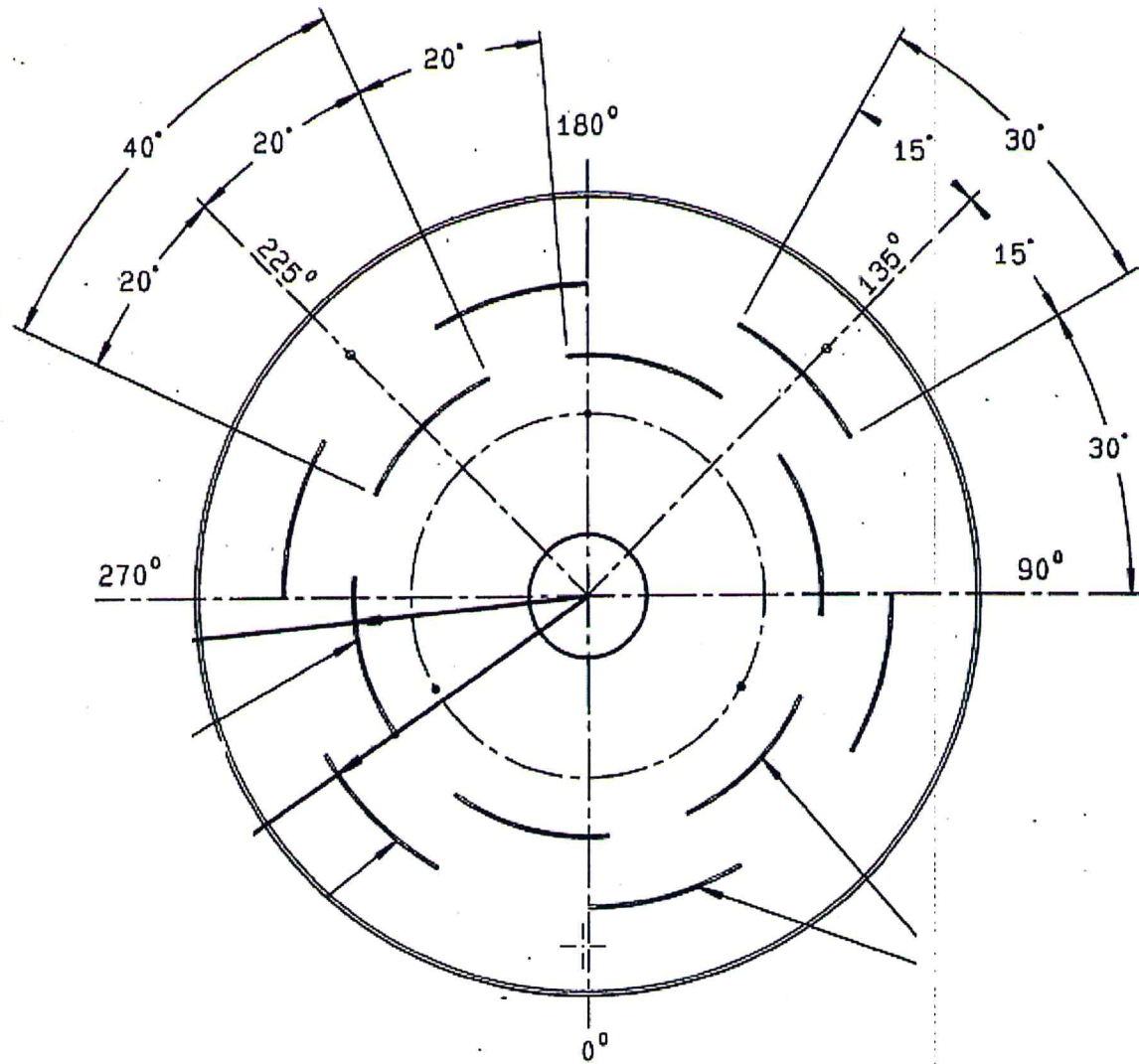


FIGURE NO. 5 - REX PRESSURÉ TANK DESIGN





SECTION "Z-Z"
TOP HEAD BAFFLES